



FISHER MODEL  
MPX-10



FISHER MODEL  
MPX-10

TRADE NAME	Fisher Model MPX-10
MANUFACTURER	Fisher Radio Corp., 21-21 44th Drive, Long Island City 1, N. Y.
TYPE SET	AC Operated 5 Tube Stereo Multiplex Adaptor
POWER SUPPLY	105-125 Volts AC, 50-60 Cycles
RATING	18 Watts, .2 Amp. @117 Volts AC

**HOWARD W. SAMs & CO., INC.** Indianapolis 6, Indiana

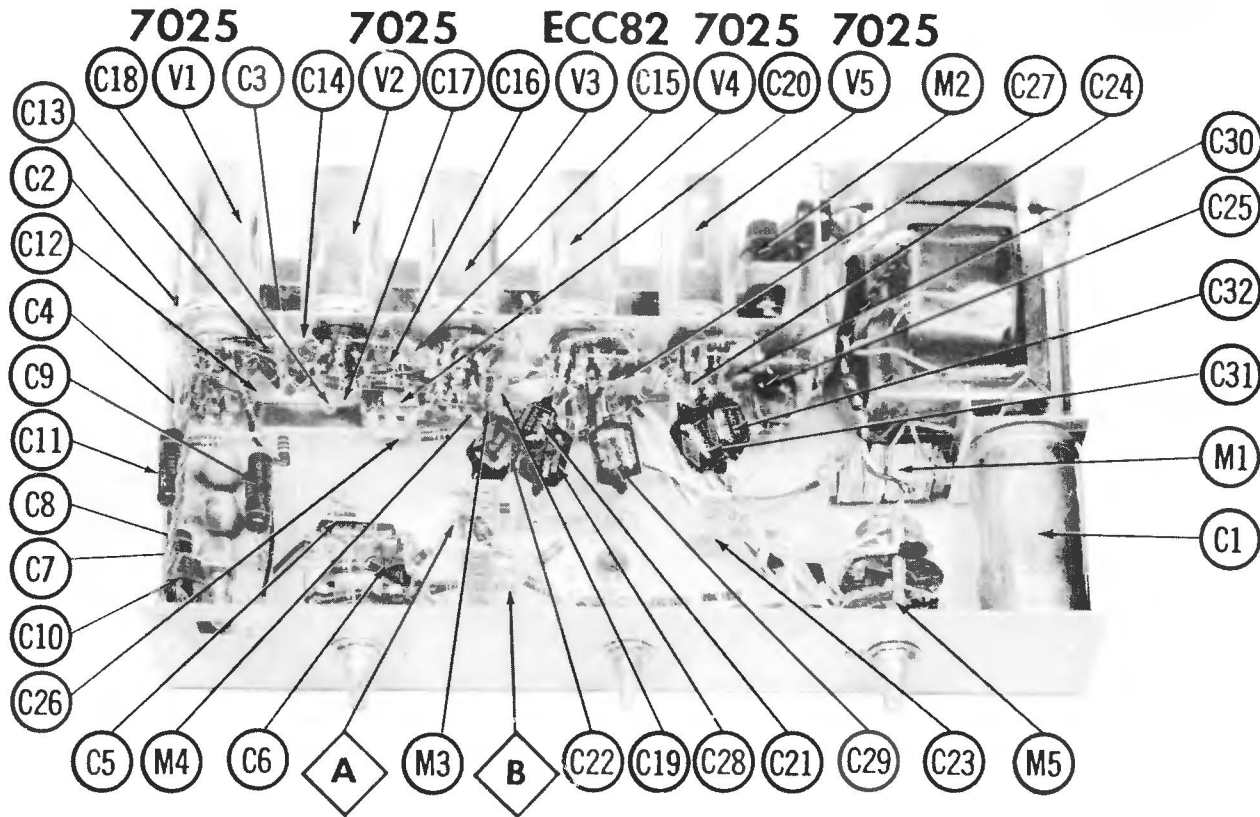
The listing of any available replacement part herein does not constitute in any case a recommendation, warranty or guaranty by Howard W. Sams & Co., Inc., as to the quality and suitability of such replacement part. The numbers of these parts have been compiled from information furnished to Howard W. Sams & Co., Inc., by the manufacturers of JZ327

the particular type of replacement part listed. Reproduction or use, without express permission, of editorial or pictorial content, in any manner, is prohibited. No patent liability is assumed with respect to the use of the information contained herein. © 1959 Howard W. Sams & Co., Inc., Indianapolis 6, Indiana. Printed in U.S. of America

# PARTS LIST AND DESCRIPTIONS

## TUBES

## CHASSIS—TOP VIEW



ITEM No.	USE	TYPE	ITEM No.	USE	GENERAL ELECTRIC		RAYTHEON		SYLVANIA	
					FOLLOWER	FOLLOWER	FOLLOWER	FOLLOWER		
V1	Sub Carrier Cath.	7025 (ECC83/12AX7*)	V4	Matrix Amp. - Matrix Amp.	7025 (ECC83/12AX7*)					
V2	Sub Carrier Amp.	7025 (ECC83/12AX7*)	V5	Channel A Output-Channel B Output	7025 (ECC83/12AX7*)					
V3	Sub Carrier Cath.	ECC82/12AU7								
	Sub Carrier Amp.									

## ELECTROLYTIC CAPACITORS

ITEM No.	CAP.	VOLTS	REPLACEMENT DATA				NOTES
			FISHER PART No.	AEROVOX PART No.	CORNELL-DUBILIER PART No.	RAYTHEON PART No.	
C1A	.40	300	C670-125		CO870		
B	#40	250			BR4025		
C	.40	250				TMT-181	
						TVLS-3561.4*	

\* Not normally in distributor's stock. Available thru distributor on order to manufacturer.

## FIXED CAPACITORS

Capacity values given in the rating column are in mfd. for Paper Capacitors, and in mmfd. for Mica and Ceramic Capacitors.

ITEM No.	RATING	REMARKS	REPLACEMENT DATA						MALLORY PART No.	SPRAGUE PART No.
			AEROVOX PART No.	CENTRALAB PART No.	CORNELL-DUBILIER PART No.	ELEMCO PART No.	RAYTHEON PART No.	SPRAGUE PART No.		
C2	8 1000V NPO 10%		BPD-02	DD-203	C10V8C	CCD-203	B-120		5HK-S20	
C3	12 1000V NPO 10%			TC2-12	C10Q12C	CCTO-120	CNO-412		MS-222	
C4	.022 200V 5%				IR3D22	CM-20B-222J	CTM-4147		4TM-S47	
C5	.047 250V 10%		V84C4S47		P4M4S47	6DP-2-822 5%			MS-282	
C6	.082 200V 5%				IR3D82	6DP-1-302 5%			MS-282	
C7	.082 200V 5%				IR3D82	6DP-2-822 5%			MS-282	
C8	.082 200V 5%				IR3D82	6DP-2-822 5%			MS-282	
C9	.082 200V 5%				IR3D82	6DP-2-822 5%			MS-282	
C10	.082 200V 5%				IR3D82	6DP-2-822 5%			MS-282	
C11	.082 200V 5%				IR3D82	6DP-2-822 5%			MS-282	
C12	50000		BPD-05	DF-503	CUB255	6DP-3-503	TA-150		5HK-S50	
C13	47 1000V N750 10%			DTN-47	C10Q47U	CCTN-470	CNT-447		10TCU-Q47	
C14	47 1000V N750 10%			DTN-47	C10Q47U	CCTN-470	CNT-447		10TCU-Q47	
C15	50000		BPD-05	DF-503	CUB255	6DP-3-503	TA-150		5HK-S50	
C16	1000		BPD-01	DD-102	BYA100DM	6DP-3-503	TA-150		5HK-S50	
C17	50000		BPD-05	DF-503	CUB255	6DP-3-503	TA-150		5HK-S50	
C18	1000		BPD-01	DD-102	BYA100DM	6DP-3-503	TA-150		5HK-S50	
C19	33 1000V N750 10%		BPD-01	DD-102	BYA100DM	6DP-3-503	TA-150		5HK-S50	
C20	820 5%			DTN-33	C10Q33U	CCTN-330	CNT-433		10TCU-Q33	
C21	.022 250V 10%		V84C4S22		IR3T92	CM-20B-822J	MCB451		MS-382	
C22	.1 250V 10%				P4M4S22	4DP-2-223	GTM-A122		4TM-S22	
C23	.1 250V 10%				P4M4S22	4DP-3-104	GTM-A01		4TM-P1	
C24	20000		BPD-02	DD-203	C10Q47U	CCTN-470	CNT-447		10TCU-Q47	
C25	.1 250V 10%		V84C4P1		BYB6S2	CCD-203	B-120		5HK-S20	
C26	20000		BPD-02	DD-203	BYB6S2	CCD-203	B-120		5HK-S20	
C27	20000		BPD-02	DD-203	BYB6S2	CCD-203	B-120		5HK-S20	
C28	.1 250V 10%		V84C4P1		P4M4P1	4DP-3-104	GTM-401		4TM-P1	
C29	.1 250V 10%		V84C4P1		P4M4P1	4DP-3-104	GTM-401		4TM-P1	
C30	47 1000V N750 10%			DTN-47	C10Q47U	CCTN-470	CNT-447		10TCU-Q47	
C31	.022 250V 10%		V84C4S22		P4M4S22	4DP-2-223	GTM-A122		4TM-S22	
C32	.1 250V 10%		V84C4P1		P4M4P1	4DP-3-104	GTM-A01		4TM-P1	

## CONTROLS

ITEM No.	RATING	REPLACEMENT DATA				INSTALLATION NOTES
		FISHER PART No.	CENTRALAB PART No.	CLAROSTAT PART No.	IRC PART No.	
R1A	500K*	R734-118			UE3955	Output Level, Channel A
R2A	500K*	R734-119	B-59	A47-500K-S	U50	Output Level, Channel B
R3	50K	R50150-1	Not Req.	FS-3	Not Req.	Channel Separation
						Matrix Control

\* STA-LOC equivalent: FA55DT334, RU55DT334, CS9500.

\* Taps @ 200K & 330K.

# PARTS LIST AND DESCRIPTIONS (Continued)

## RESISTORS

All wattages 1/2 watt, or less, unless otherwise listed.

ITEM No.	RATING	ITEM No.	RATING	ITEM No.	RATING	ITEM No.	RATING	ITEM No.	RATING
R4	10meg	R14	220K	R24	470K	R34	82K	R44	4700Ω
R5	4.7meg	R15	1500Ω	R25	10K	R35	47K	R45	4700Ω
R6	33K	R16	150K	R26	1800Ω	R36	100K	R46	100K 5%
R7	22meg	R17	100K	R27	33K	R37	47K	R47	100K 5%
R8	39K 5%	R18	220K	R28	68K 5%	R38	3.3meg	R48	47K
R9	150K	R19	470K	R29	330K	R39	330K	R49	100K
R10	3900Ω	R20	1500Ω	R30	1meg	R40	22meg	R50	47K
R11	470K	R21	470K	R31	22meg	R41	100K	R51	3.3meg
R12	680Ω	R22	100K	R32	100K 5%	R42	470K	R52	330K
R13	2200Ω	R23	1000Ω	R33	100K 5%	R43	22meg	R53	22meg

## COILS (RF-IF)

ITEM No.	USE	REPLACEMENT DATA				NOTES
		Fisher Part No.	Gramer Part No.	Meissner Part No.	Miller Part No.	
L1	RF Choke	L734-137				4MH
L2	RF Choke	L734-136				1.6MH
L3	RF Choke	L734-136				1.6MH
L4	RF Choke	L734-137				4MH

## TRANSFORMER (POWER)

ITEM No.	RATING	REPLACEMENT DATA				Triad Part No.
		Fisher Part No.	Hollidson Part No.	Merit Part No.	Rom Part No.	
T1	117V @ .2A 360 VCT 6.3V @ ③. 013A 1.6A	T734-115				

## RECTIFIERS

ITEM No.	RATING	REPLACEMENT DATA				NOTES
		Fisher Part No.	Federal Part No.	Sarkes Tarzian Part No.	Sylvania Part No.	
M1	.03A	SR5013 ①		026-14C1-Q		① Selenium Type

## FUSES

ITEM No.	TYPE	RATING	REPLACEMENT DATA			
			Fisher Part No.	Holder	Fuse	BUSS Part No.
M2	3AG	1/4A 250V	F3297		3/2, 500 (3AG 1/4A 250V)	AGC 1/2 HXP

## CRYSTAL DIODES

ITEM No.	ORIG. TYPE	REPLACEMENT DATA				NOTES
		Fisher Part No.	CBS Part No.	Raytheon Part No.	Sylvania Part No.	
M3	V-RL232 ①	IN636	IN295	IN295	IN295	Counter Det. (Pigtail)
M4	V-RL232 ①	IN636	IN295	IN295	IN295	Counter Det. (Pigtail)

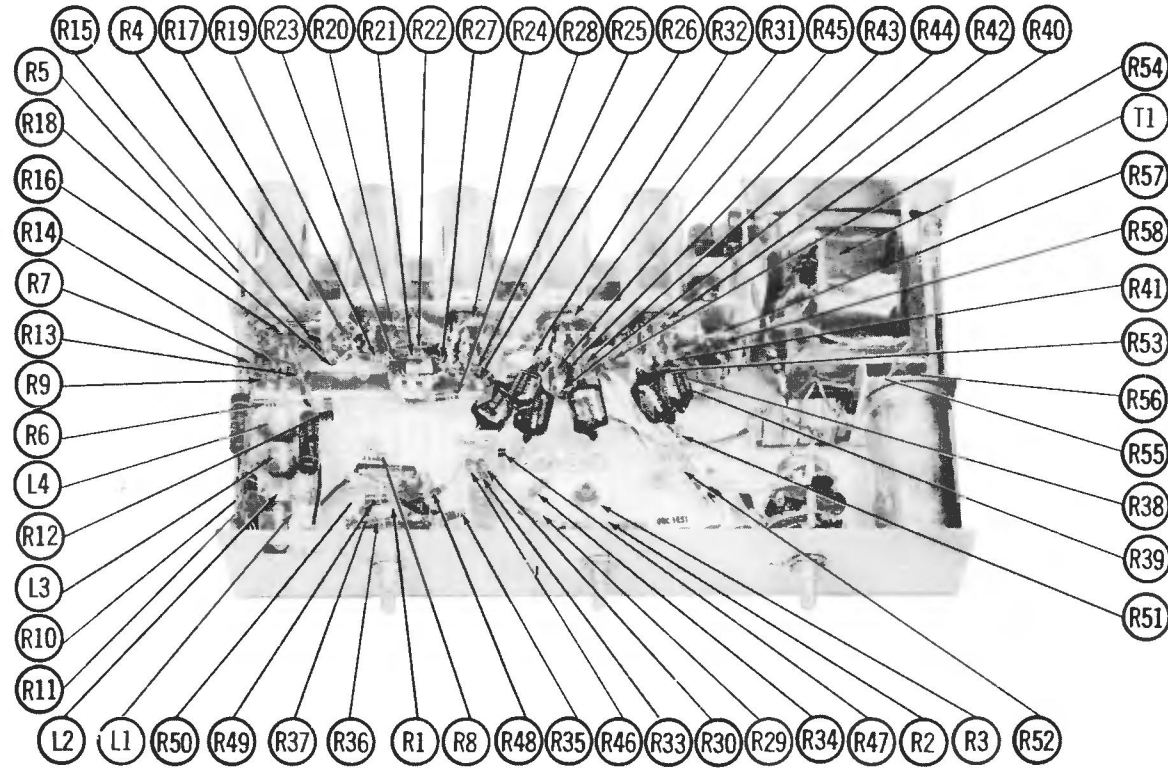
## MISCELLANEOUS

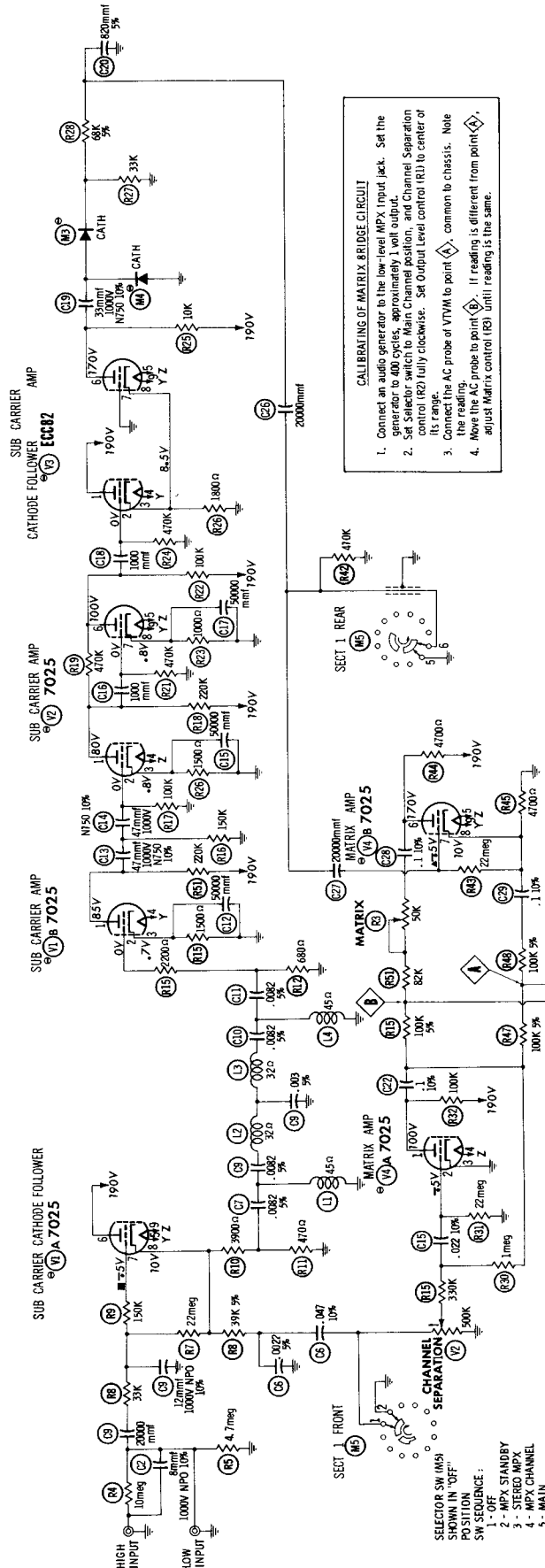
ITEM No.	PART NAME	Fisher Part No.	Notes
M5	Switch	S734-124	Selector

## WIRING DATA

General-use Unshielded Hook-up Wire ..... Use BELDEN No. 8530 (Solid) Available in Ten Colors  
 Power Cord ..... Use BELDEN No. 1765-B (6 Ft. Length)  
 ..... Use BELDEN No. 1725-K (7 1/2 Ft. Length)

# CHASSIS—TOP VIEW





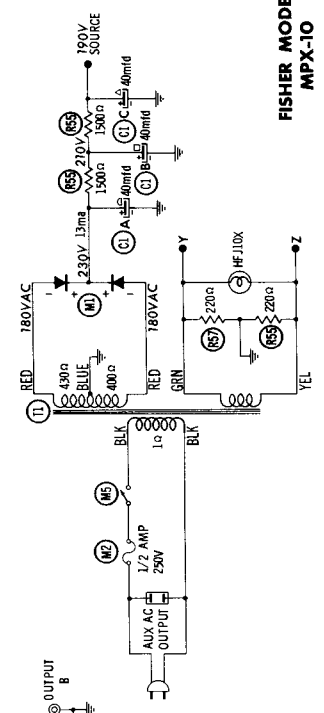
**CALIBRATING OF MATRIX BRIDGE CIRCUIT**

1. Connect an audio generator to the low-level MPX input jack. Set the generator to 400 cycles, approximately 1 volt output.
2. Set Selector switch to Main Channel position, and Channel Separation control (R2) fully clockwise. Set Output Level control (R1) to center of its range.
3. Connect the AC probe of VTVM to point (A), common to chassis. Note its reading.
4. Move the AC probe to point (B). If reading is different from point (A), adjust Matrix control (R3) until reading is the same.

**RESISTANCE READINGS**

ITEM	TUBE	Pin 1	Pin 2	Pin 3	Pin 4	Pin 5	Pin 6	Pin 7	Pin 8	Pin 9
V1	7025	1.20K	2900	1500	1.0	1.0	1.300K	22meg	400	1.0
V2	T025	1.20K	100	1500	1.0	1.0	1.00K	470K	1000	1.0
V3	ECC82	1.300K	470K	1800	1.0	1.0	1.13K	0	1800	1.0
V4	7025	1.00K	22meg	0	1.0	1.0	1.770K	22meg	4700	1.0
V5	7025	1.00K	22meg	0	1.0	1.0	1.00K	22meg	0	1.0

† MEASURED FROM OUTPUT OF A1  
 ‡ MEASURED FROM PIN 8 OF V1  
 § MEASURED FROM PIN 8 OF V4



**NUMBERS ASSIGNED TO COILS, SWITCHES, PLUGS, SOCKETS, AND TRANSFORMERS ARE TO FACILITATE CIRCUIT TRACING OR COMPONENT REPLACEMENT AND MAY NOT NECESSARILY BE FOUND ON THE UNIT.**

1. DC voltage measurements taken with vacuum tube voltmeter.
- AC voltages measured at 1000 ohms per volt.
- Socket connections are shown as bottom views.
- Measured values are from socket pin to common negative.
- Line voltage maintained at 117 volts for voltage readings.
- Nominal tolerance of component values makes possible a variation of ±1.5% in voltage and resistance readings.
- All controls at minimum; proper output load connected.

**SEE PARTS LIST FOR ALTERNATE VALUE OR APPLICATION**

**DC COIL RESISTANCE VALUES UNDER ONE OHM NOT SHOWN ON SCHEMATIC DIAGRAM**

**ARROWS ON CONTROLS INDICATE CLOCKWISE ROTATION (CONTROL VIEWED FROM SHAFT END)**

**A PHOTOFACT STANDARD NOTATION SCHEMATIC**  
 © Howard W. Sams & Co., Inc. 1959

**FISHER MODEL MPX-10**